

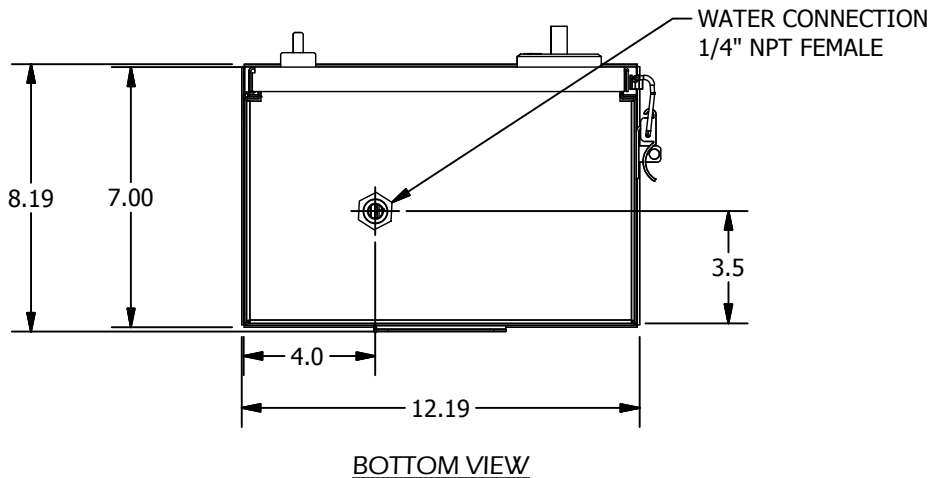
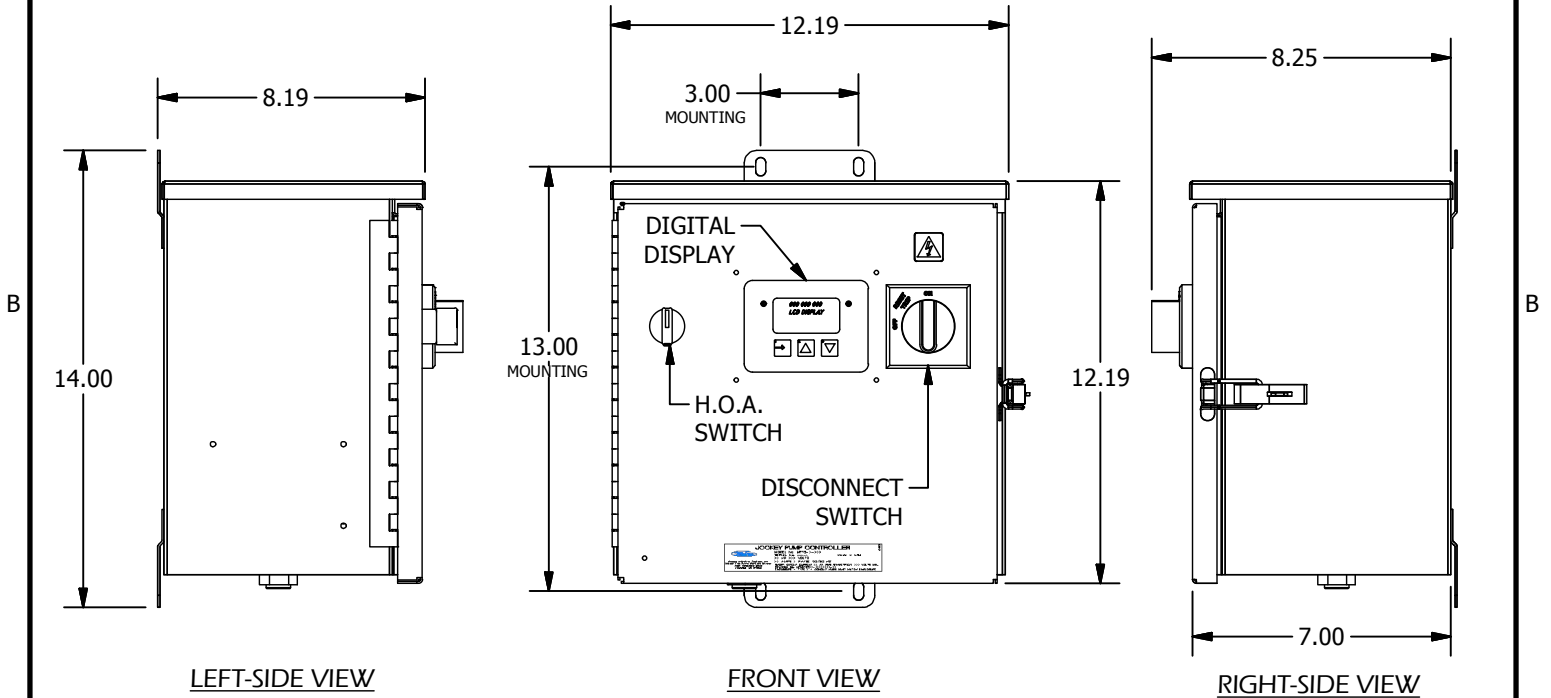


# DIMENSIONS & DATA

MICRO PROCESSOR  
JOCKEY PUMP CONTROLLER



# MP15



SINGLE PHASE	
HP	VAC
.25 - 1.5	110-120
.25 - 3	200
.25 - 3	240

THREE PHASE	
HP	VAC
.25 - 5	200
.25 - 5	208
.25 - 7.5	200-240
.25 - 10	380-415
.25 - 10	440-480
.25 - 15	550-600

SELECTION TABLE			
PHASE	HP	VOLTAGE	ENCLOSURE TYPE
			TYPE 3R (STD)

\* HIGHER HP AVAILABLE  
IN LARGER CABINET ONLY

\* FOR CABINET RATING OTHER THAN 3R,  
USE LARGER CABINET.

### NOTES:

- ENCLOSURE MADE FROM 16GA. STEEL WITH RED POLYESTER POWDER FINISH.
- ENTER EITHER TOP OR BOTTOM (PREFERRED)
- PROTECT INTERNAL EQUIPMENT FROM DRILLING CHIPS
- DIMENSIONS SUBJECT TO CHANGE WITHOUT NOTICE. ALWAYS CONSULT FACTORY TO CONFIRM CURRENT INFORMATION.
- ALL DIMENSIONS ARE IN INCHES.
- POWER AVAILABLE AND PUMP-RUNNING LIGHTS ARE STANDARD.

STANDARD, SMALL 12W X 12H X 7D IN.	RATING TYPE: 3R
DATE: 5-15-2014	REV. A
METRON Division of - Hubbell ICD, Inc. 4301 Cheyenne Drive Archdale, N.C. 27263	DWG. NO. <b>HCMP15D-801</b>